

Checklist and reference guide

Anatomical requirements:

Proximal seal zone

- ≤ 60° angulation
 - ≥ 20 mm length
 - 22–29 mm aortic diameter (31 mm Aortic Component [AC])
- or
- 27–34 mm aortic diameter (37 mm AC)
 - For aneurysms extending >6.5 cm above the origin of the most proximal branch vessel, one or more appropriately-sized Thoracic Component(s) may be implanted

Visceral aortic segment

(3 cm above and 9.5 cm below most proximal branch vessel)

- ≥ 20 mm diameter

Celiac artery and superior mesenteric artery (SMA) branches

- 5–12 mm vessel diameter
- ≥ 15 mm length landing zone into vessel
- 5–10 mm Branch Component proximal extension beyond portal

Renal artery branches

- 4–10 mm vessel diameter
- ≥ 15 mm length landing zone into vessel
- 5–10 mm Branch Component proximal extension beyond portal

Common iliac artery

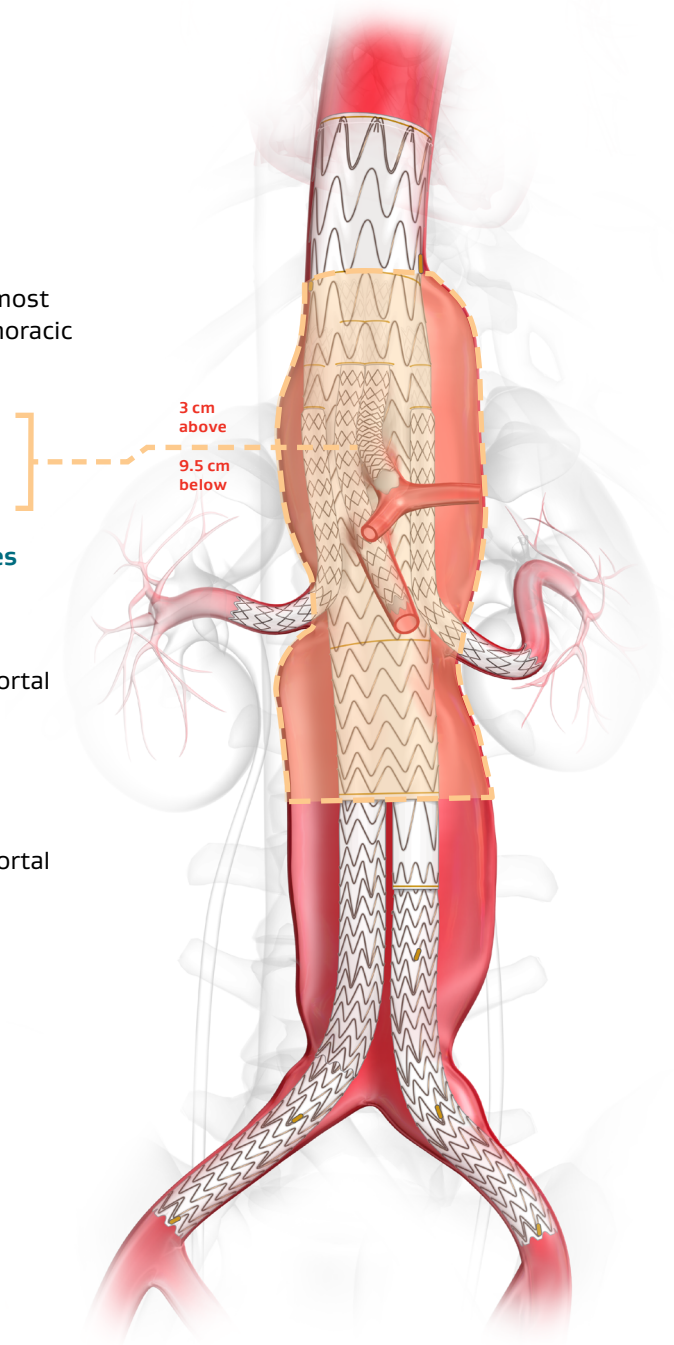
- 8–25 mm diameter
- ≥ 3 cm landing zone with 10 mm seal

Femoral access

- Main body: 22 Fr GORE® DRYSEAL Flex Introducer Sheath (8.2 mm outer diameter [OD])
- Contralateral: Fr size as needed

Axillary/brachial access

- Minimum 12 Fr GORE® DRYSEAL Flex Introducer Sheath (4.7 mm OD)



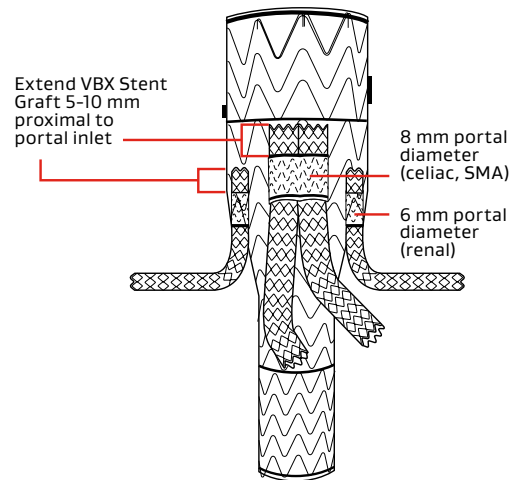
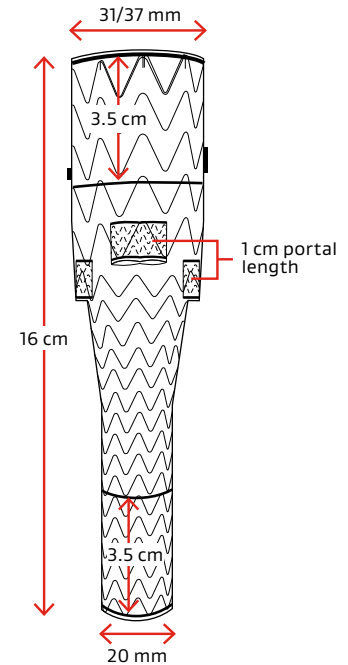
Checklist and reference guide

TAMBE Aortic Component features:

- Proximal diameters: 31 mm or 37 mm
- Distal diameter: 20 mm
- Total length: 16 cm
- Catheter working length: 66 cm
- Short radiopaque (RO) marker positioned on patient right
- Long RO marker positioned on patient left
- Distance between proximal gold band markers: 3.5 cm (proximal ballooning marker)
- All portals 1 cm in length
 - Proximal portals: 8 mm in diameter
 - Distal portals: 6 mm in diameter
- Extend GORE® VIABAHN® VBX Balloon Expandable Endoprosthesis (VBX Stent Graft) 5-10 mm proximal to portal inlet
- Distance between distal gold band markers: 3.5 cm (Distal Bifurcated Component [DBC] overlap marker)
- Typical removeable guidewire tube (RGT) configuration:

Short lateral RGT	Short medial RGT	Long medial RGT	Long lateral RGT
Right renal	SMA	Celiac	Left renal

- Proximal portal outlet must be placed 1-3 cm above most proximal branch vessel ostium



Consult Instructions for Use
eifu.goremedical.com

Refer to *Instructions for Use* at eifu.goremedical.com for a complete description of all applicable indications, warnings, precautions and contraindications for the markets where this product is available. Rx Only

Products listed may not be available in all markets.

© 2025 W. L. Gore & Associates GmbH. All rights reserved. All trademarks referenced are trademarks of either a member of the Gore group of affiliated companies or their respective owners. "Together, improving life" mark and design are trademarks of a Gore company. 25AR2230-EN01 OCTOBER 2025